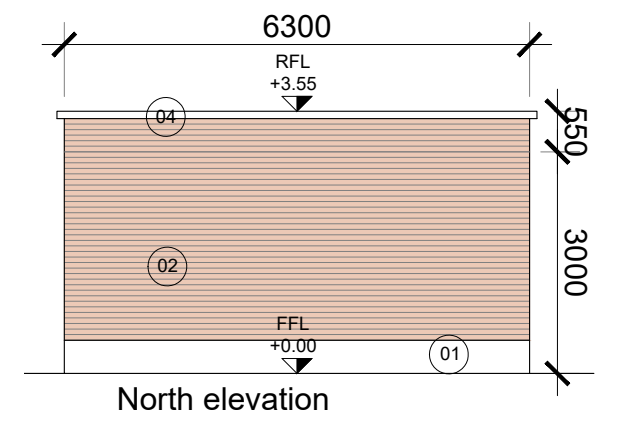
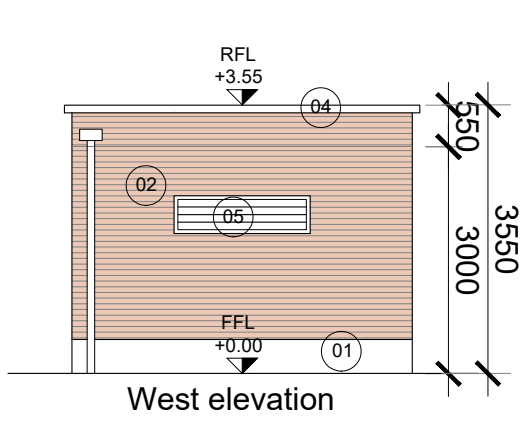
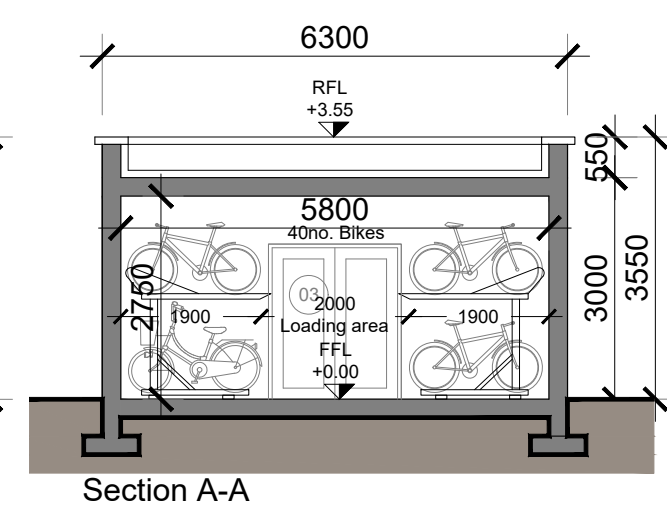
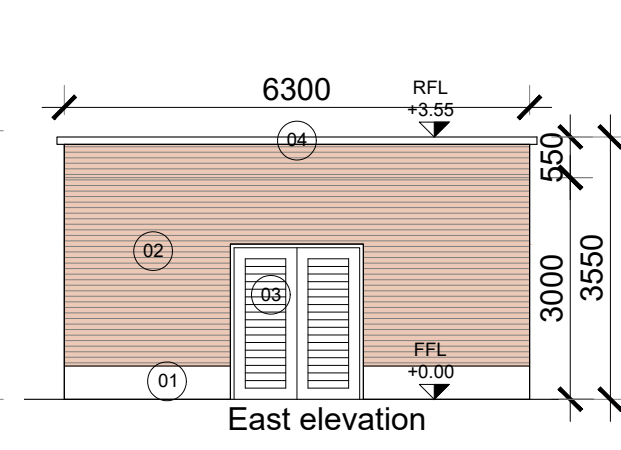
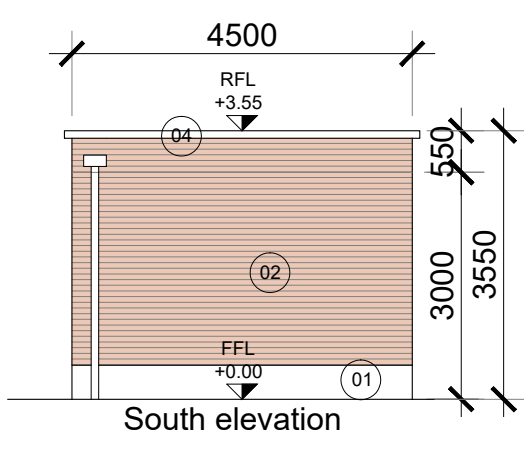
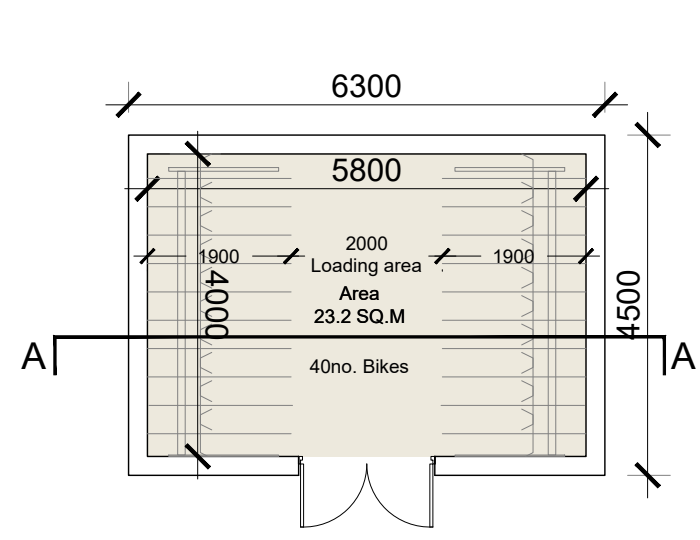


GENERAL NOTES

1. COPYRIGHT RESERVED
2. DO NOT SCALE DRAWING. USE FIGURED DIMENSIONS ONLY.
3. ALL DISCREPANCIES TO BE REPORTED TO ARCHITECT.
4. THE CONTRACTOR IS RESPONSIBLE FOR CHECKING ALL LEVELS AND DIMENSIONS.
5. ALL STRUCTURE TO BE TO STRUCTURAL ENGINEERS DETAILS.
6. ALL MECH & ELEC SERVICES TO SERVICES ENGINEERS DETAILS.
7. ALL PROPRIETARY ITEMS TO BE INSTALLED IN ACCORDANCE WITH MANUFACTURERS INSTRUCTIONS.
8. CONTRACTOR IS RESPONSIBLE FOR THE COORDINATION OF STRUCTURE FINISHES AND SERVICES.

REV	DATE	DESCRIPTION	BY

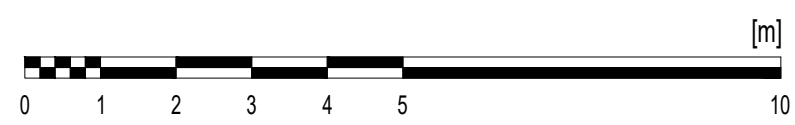


Stand alone bicycle store  
Scale 1:100 @ A3

**Note:** FFL levels and orientations vary as there are 2 No. of these stand alone stores throughout the site

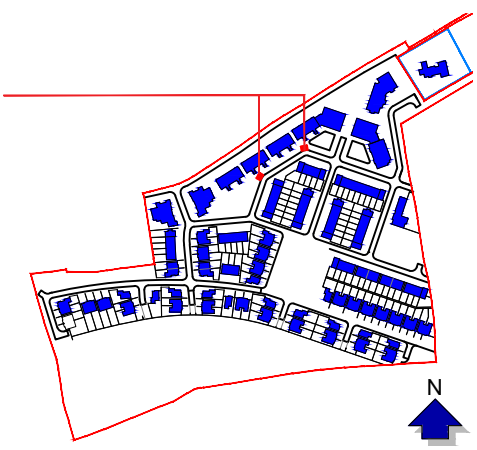
**Materials Legend**

- 01 - Render to selected colour
- 02 - Brick to selected colour
- 03 - Hardwood timber vented door to selected colour
- 04 - Concrete capping
- 05 - Vent



**PLANNING**

Locations of stand alone bicycle stores



  
**JOHN FLEMING ARCHITECTS**

The Tree House, 17 Richview Office Park  
Clonskeagh, Dublin, D14 XR82  
T: (01) 6689888 E: info@jfa.ie W: www.jfa.ie

CLIENT  
ARDSTONE-HOMES-LTD

---

PROJECT  
RESIDENTIAL HOUSING DEVELOPMENT  
ARDAROSTIG, BISHOPSTOWN, CO CORK

---

DRAWING  
STAND ALONE BICYCLE STORE  
PLANS, ELEVATIONS AND SECTION

---

SCALE	JOB NO.
1:100 @ A3	1923
DRAWN BY	EH
DATE	March 2021
DRAWING NUMBER	REVISION
ARG - JFA - 00 - 00 - DR - A - P6003	-

---

DRAWING LOCATION  
16d8d9a7131e1020d-planning11-planning-application112.rvt

---

DRAWING STATUS  
**PLANNING**